

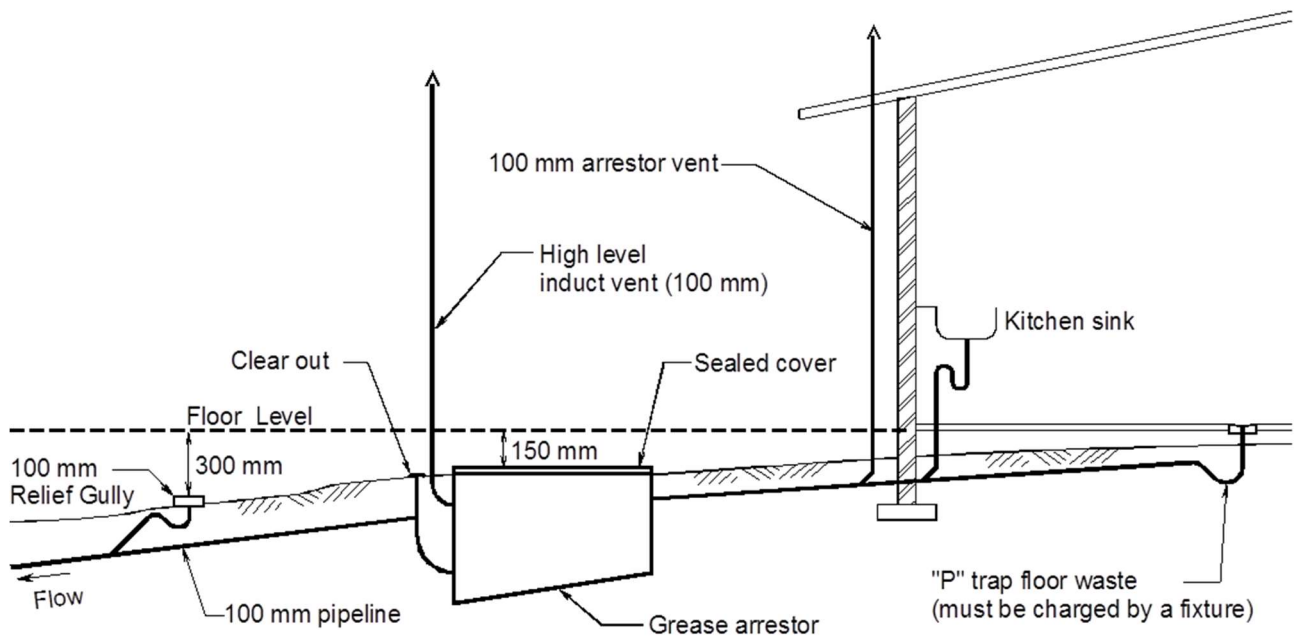
# Liquid trade waste plumbing and drainage connections

Liquid trade waste pre-treatment equipment must be installed in compliance with the National Plumbing and Drainage Code AS/NZS 3500 Part 2.

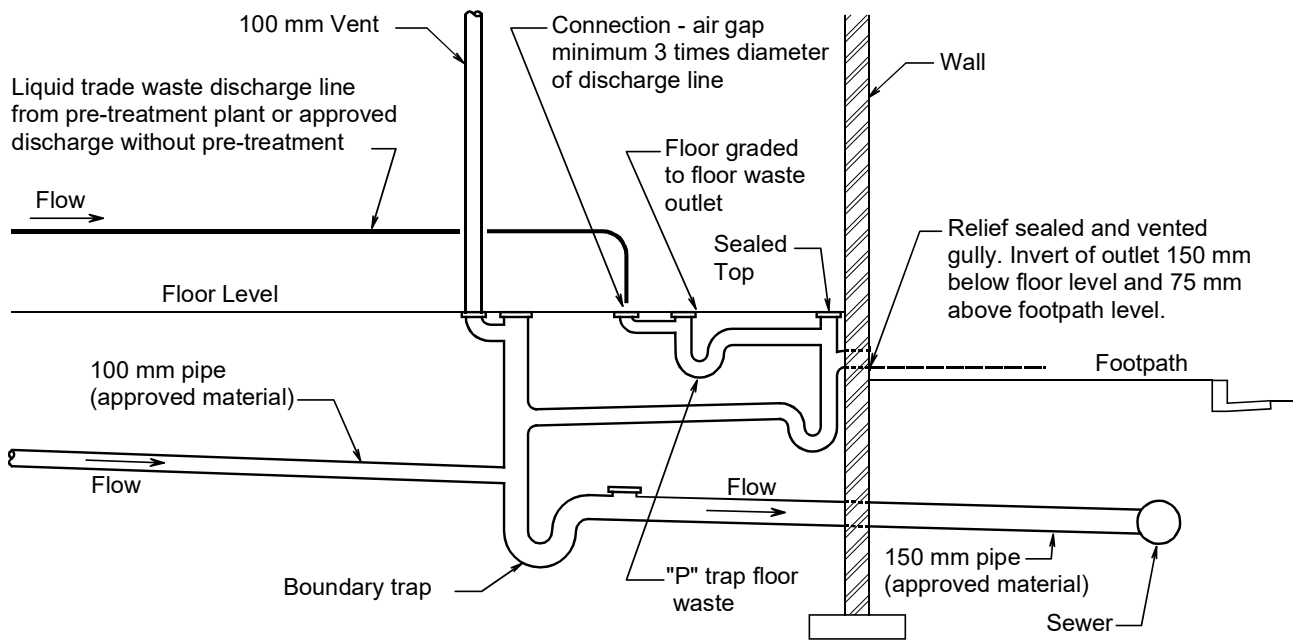
**Figure 1 to Figure 14 are to be used as a guide only and do not override the provisions of the Plumbing Code of Australia, Australian Standard National Plumbing and Drainage Code AS3500, Part 2, Sanitary Plumbing and Sanitary Drainage and local authority requirements.**

It should be noted that these are typical minimum requirements and commercial and industrial installations may require additional provisions.

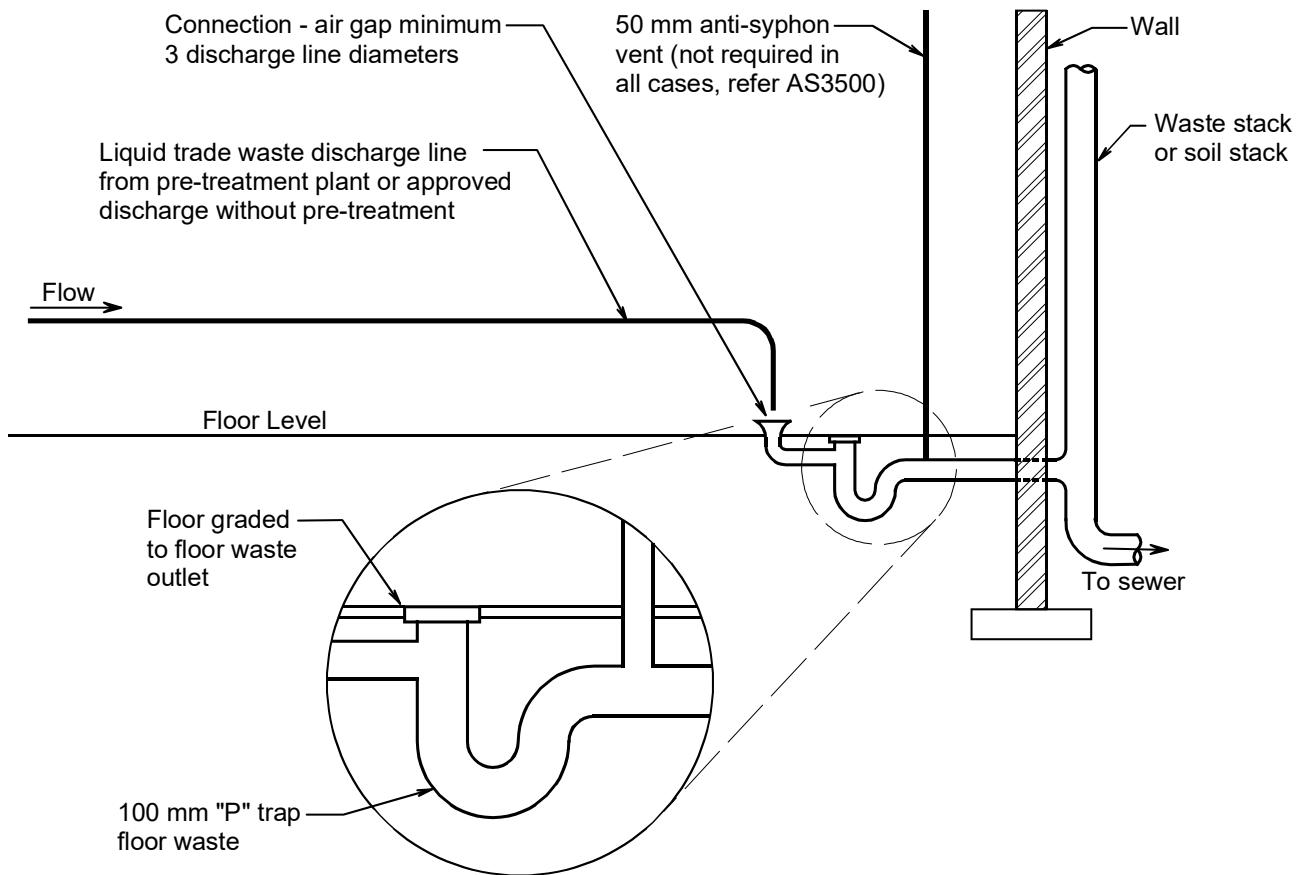
**Figure 1 Passive grease arrestor installation relative levels (preferable drainage layout)**



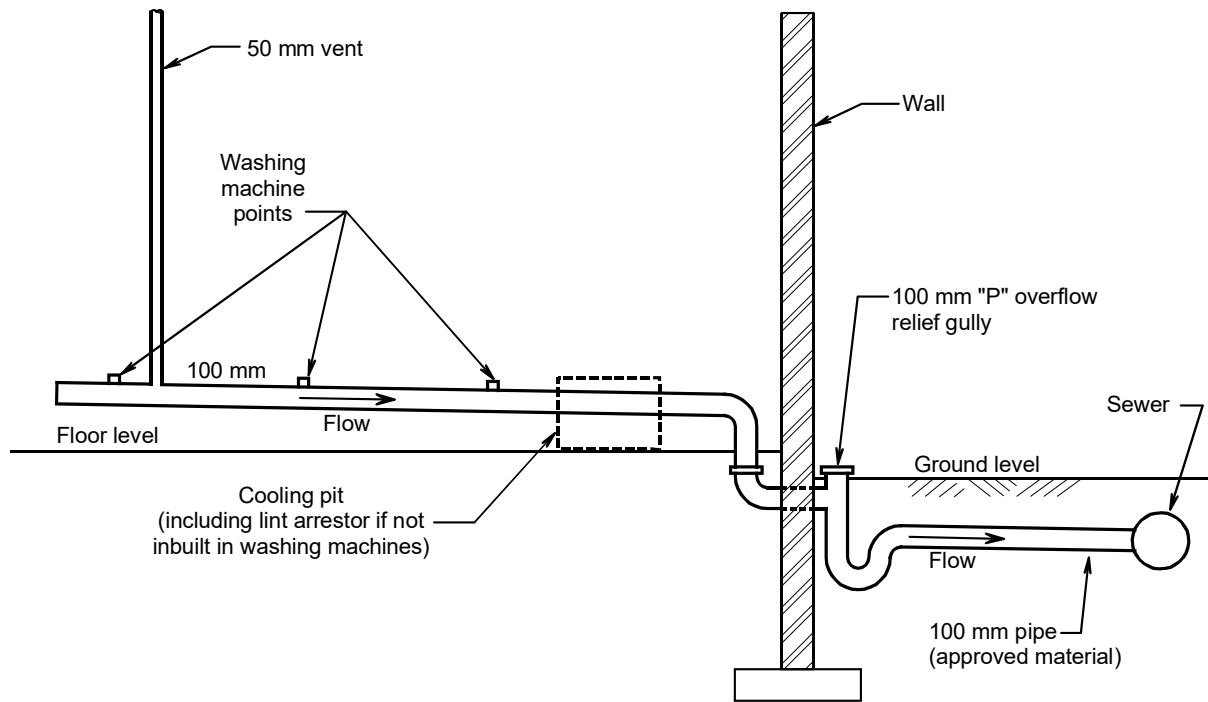
**Figure 2 Liquid trade waste plant installation drainage connection (not suitable for a laundromat installation)**



**Figure 3 Liquid trade waste plant installation sanitary plumbing connection (not suitable for a laundromat installation)**



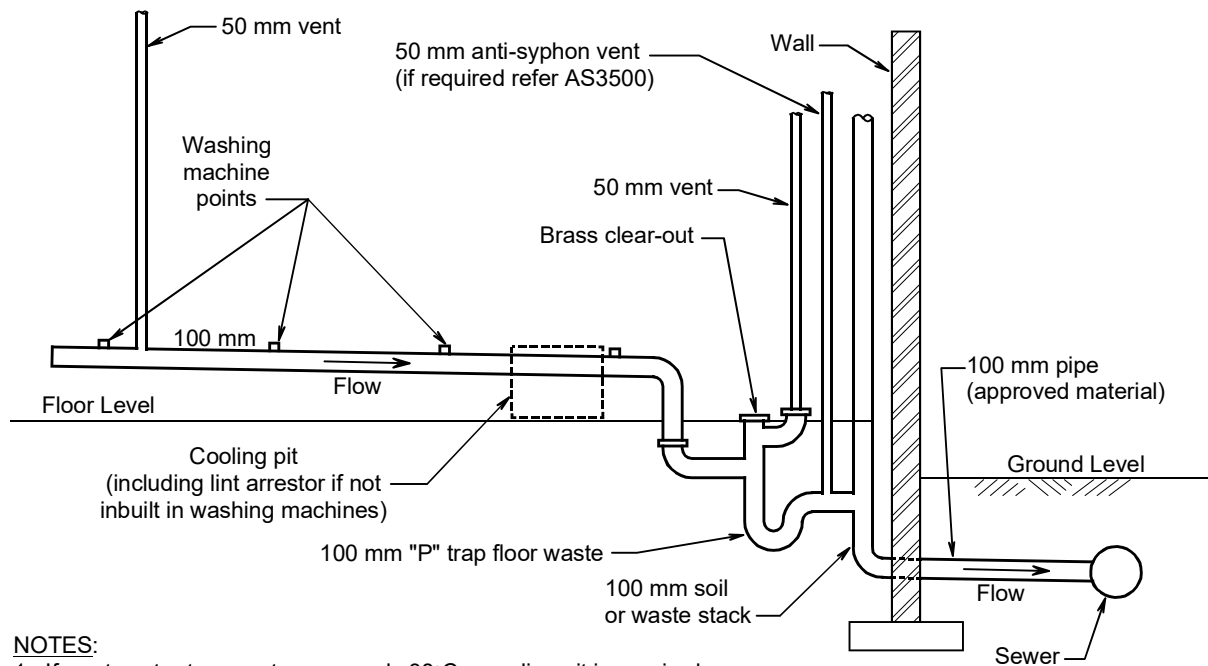
**Figure 4 Laundromat—typical installation ground floor drainage connection**



**NOTES:**

1. If wastewater temperature exceeds 38°C a cooling pit is required.
2. Lint arrestor with screen (max. 2 mm aperture size) needs to be provided if screen not inbuilt in washing machine.
3. uPVC piping is not permitted where wastewater temperature exceeds 38°C.

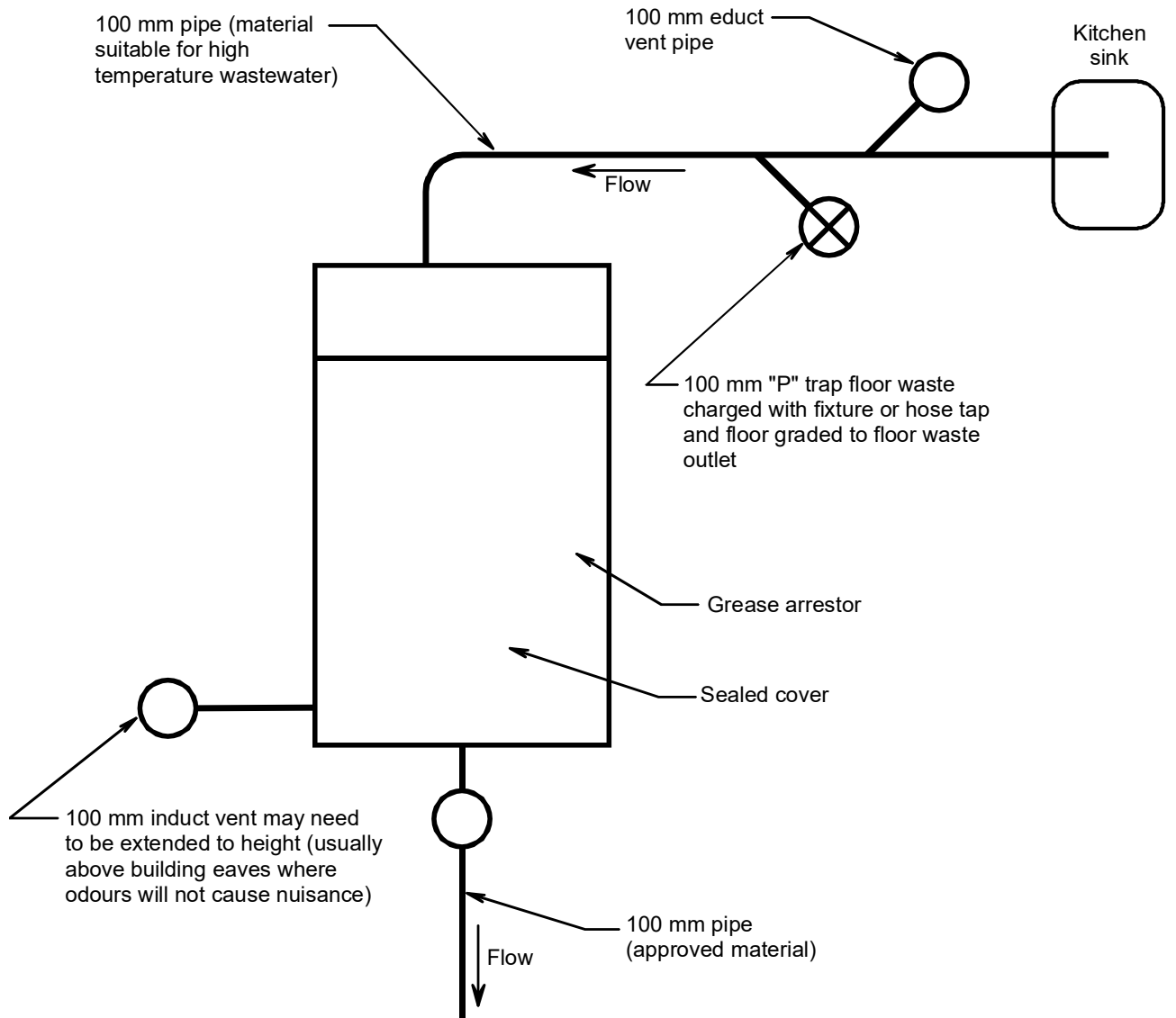
**Figure 5 Laundromat—typical installation sanitary plumbing connection**



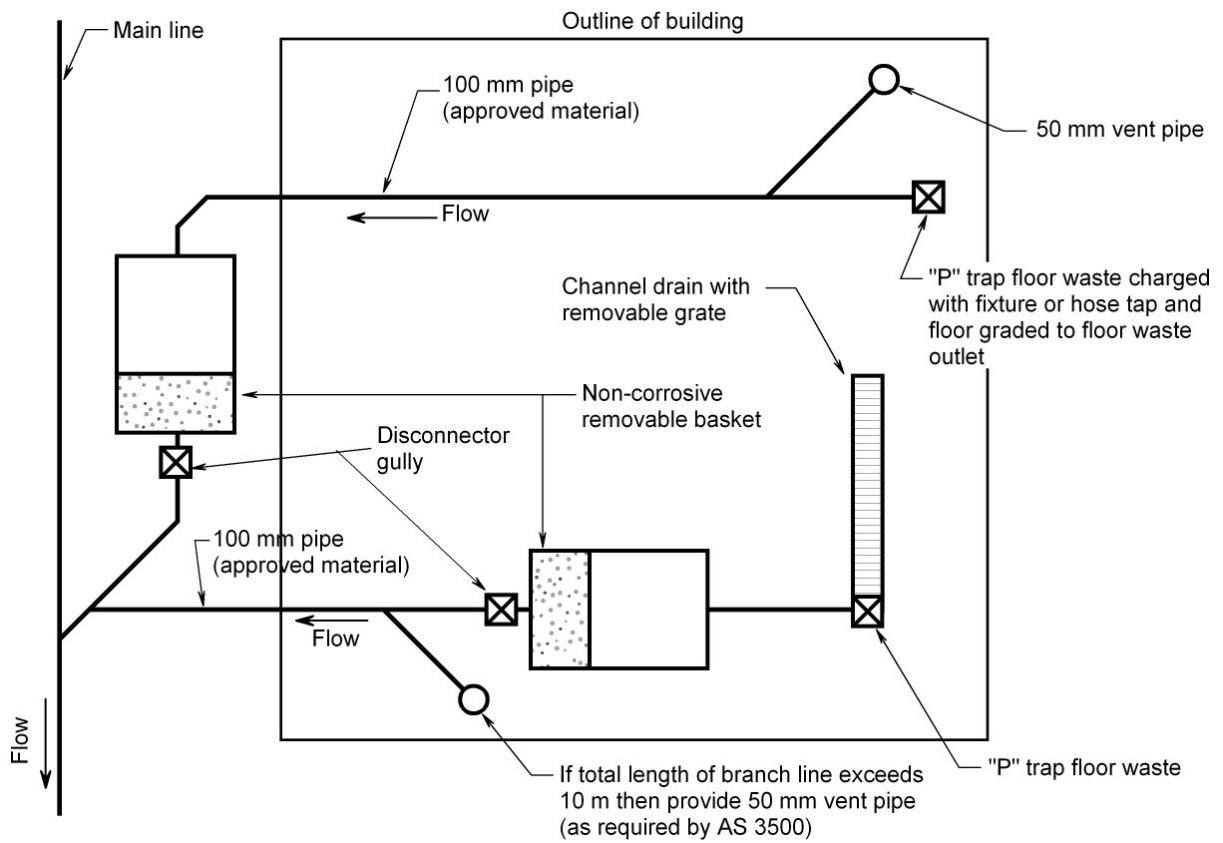
**NOTES:**

1. If wastewater temperature exceeds 38°C a cooling pit is required.
2. Lint arrester with screen (max. 2 mm aperture size) needs to be provided if screen not inbuilt in washing machine.
3. uPVC piping is not permitted where wastewater temperature exceeds 38°C.

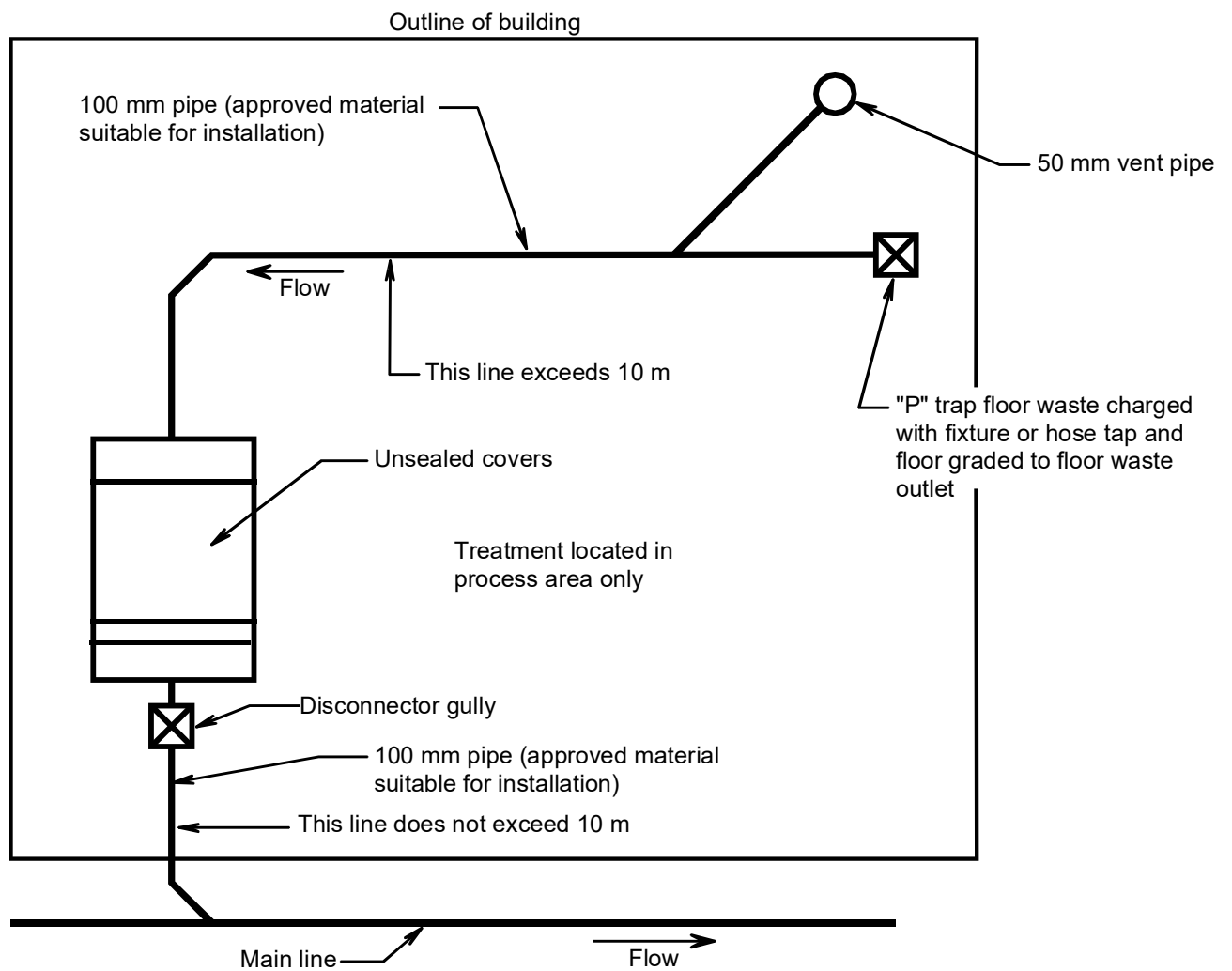
**Figure 6 Venting of grease arrestor**



**Figure 7 Dry basket arrestor with a removable basket**



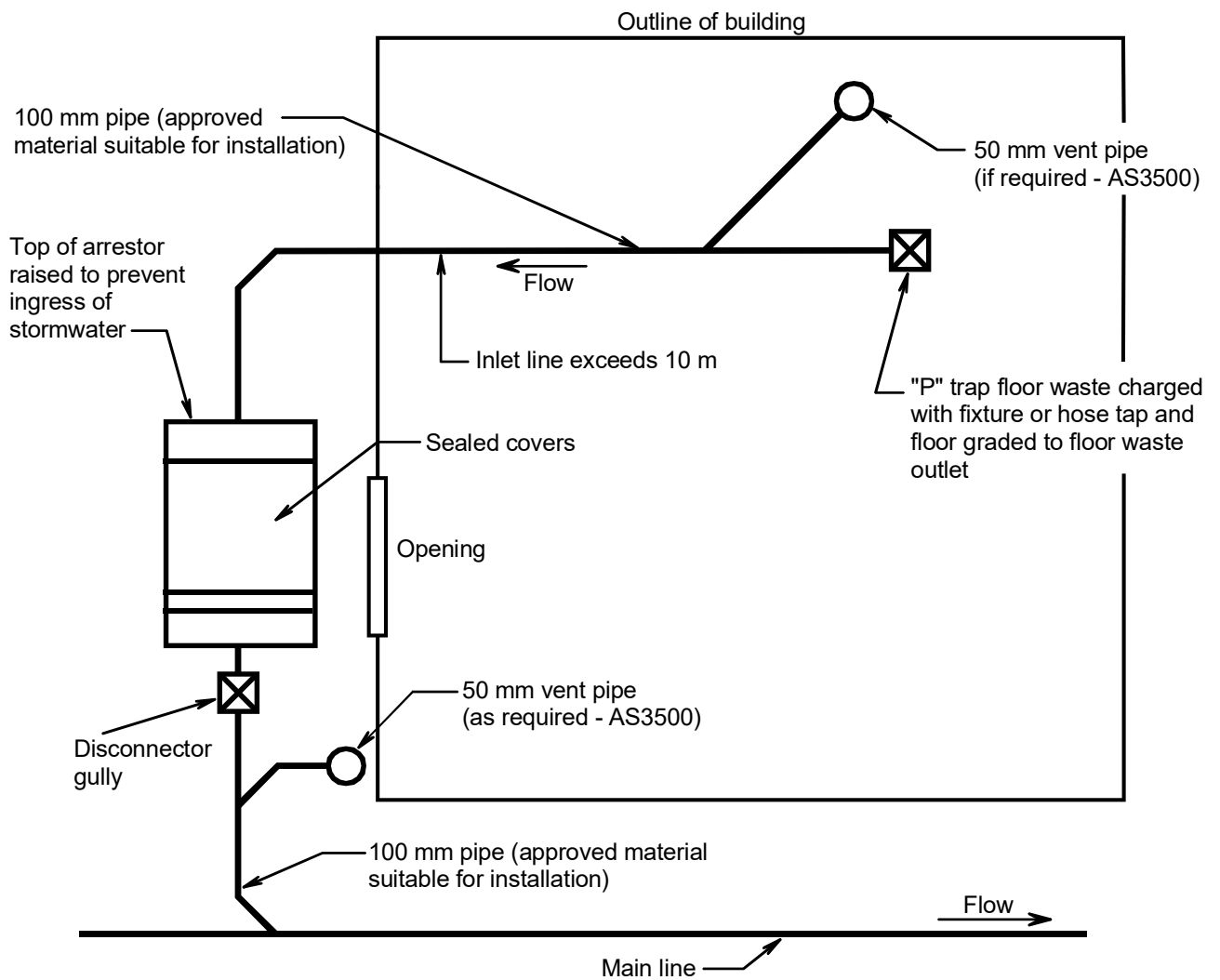
**Figure 8 Arrestor/neutraliser inside a treatment room**



**NOTES:**

1. Arrestor/neutraliser not to contain noxious or toxic waste.
2. Neutraliser installation requires separate room ventilation or mechanical ventilation with flame proof equipment / lighting to Australian Standards.

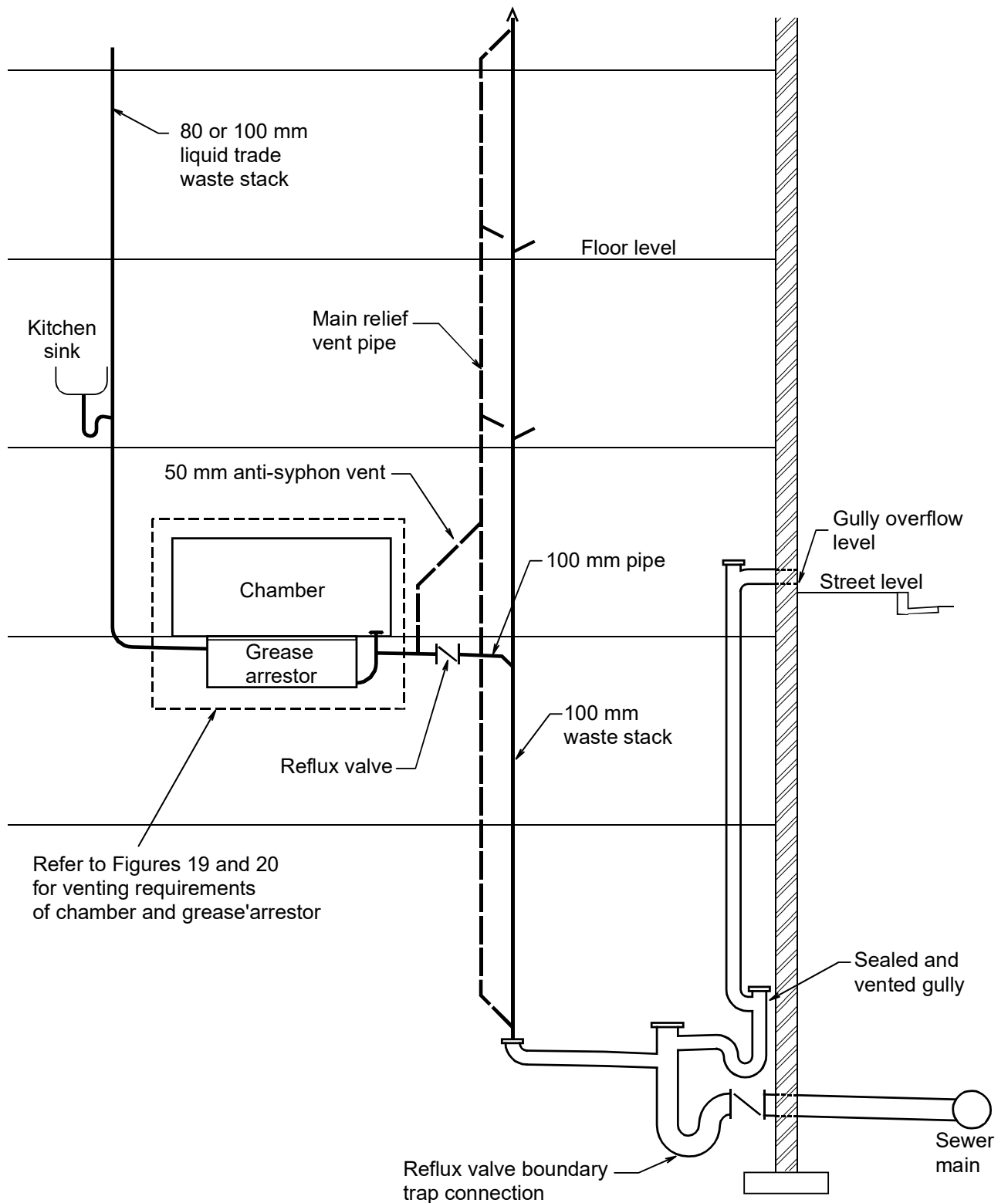
**Figure 9 Arrestor/neutraliser outside a treatment room**



**NOTE:**  
Arrestor / neutraliser not to contain noxious or toxic waste.



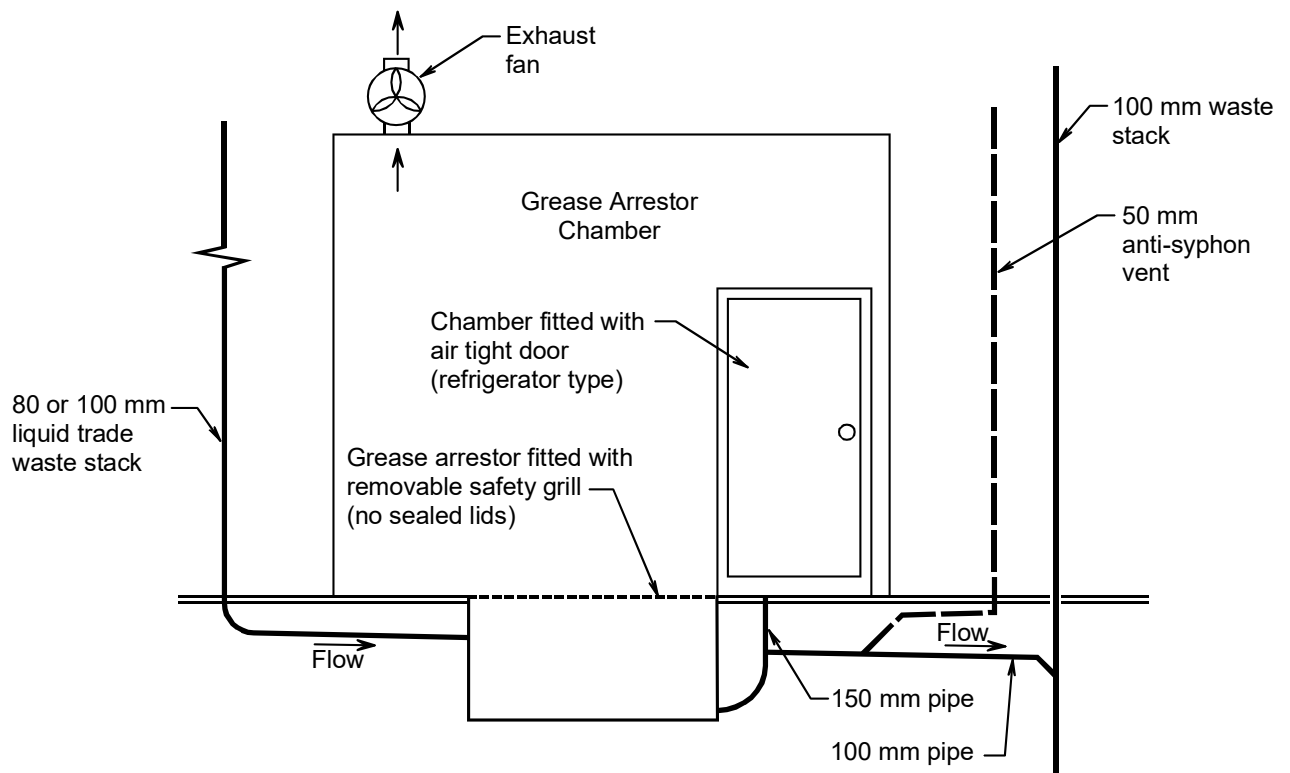
**Figure 10 Passive grease arrestor within a multi-storey building**



**NOTE:**

Copper pipes shall not be used to convey grease or vent grease arrestor.

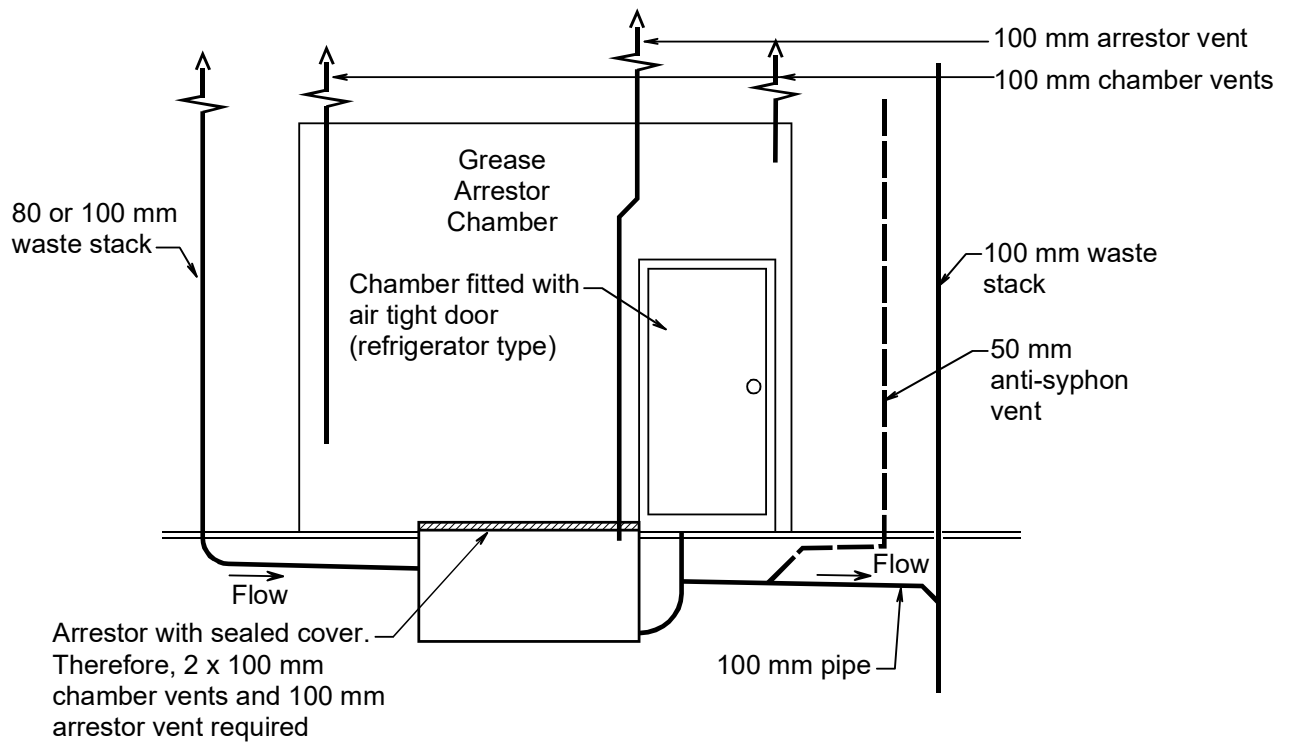
**Figure 11 Venting of grease arrestor chambers: alternative mechanical ventilation**



**NOTES:**

1. Chamber vents may be omitted if mechanical ventilation of chamber is provided.
2. Arrestors are not permitted to be installed in areas where food is prepared except in compliance with requirements of NSW Health and Australian Standards.
3. Copper pipes shall not be used to convey grease or vent grease arrestor.

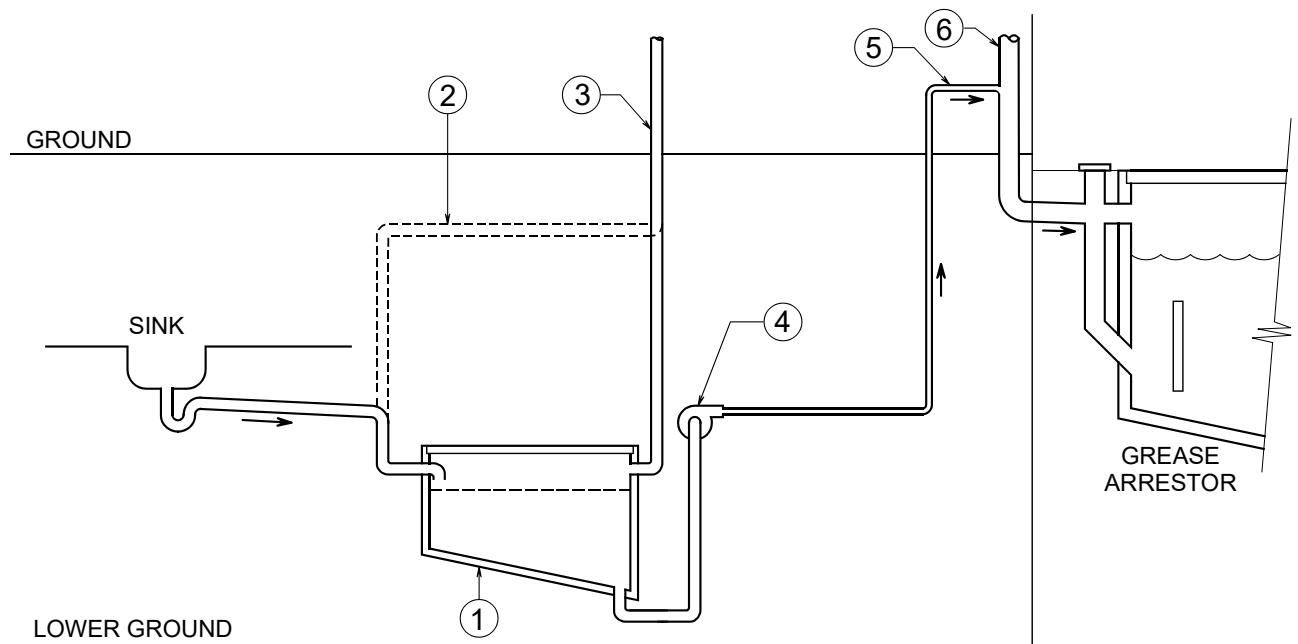
**Figure 12 Venting of passive grease arrestor chambers**



**NOTES:**

1. Chamber vents may be omitted if mechanical ventilation of chamber is provided.
2. Copper pipes shall not be used to convey grease or vent grease arrestor.

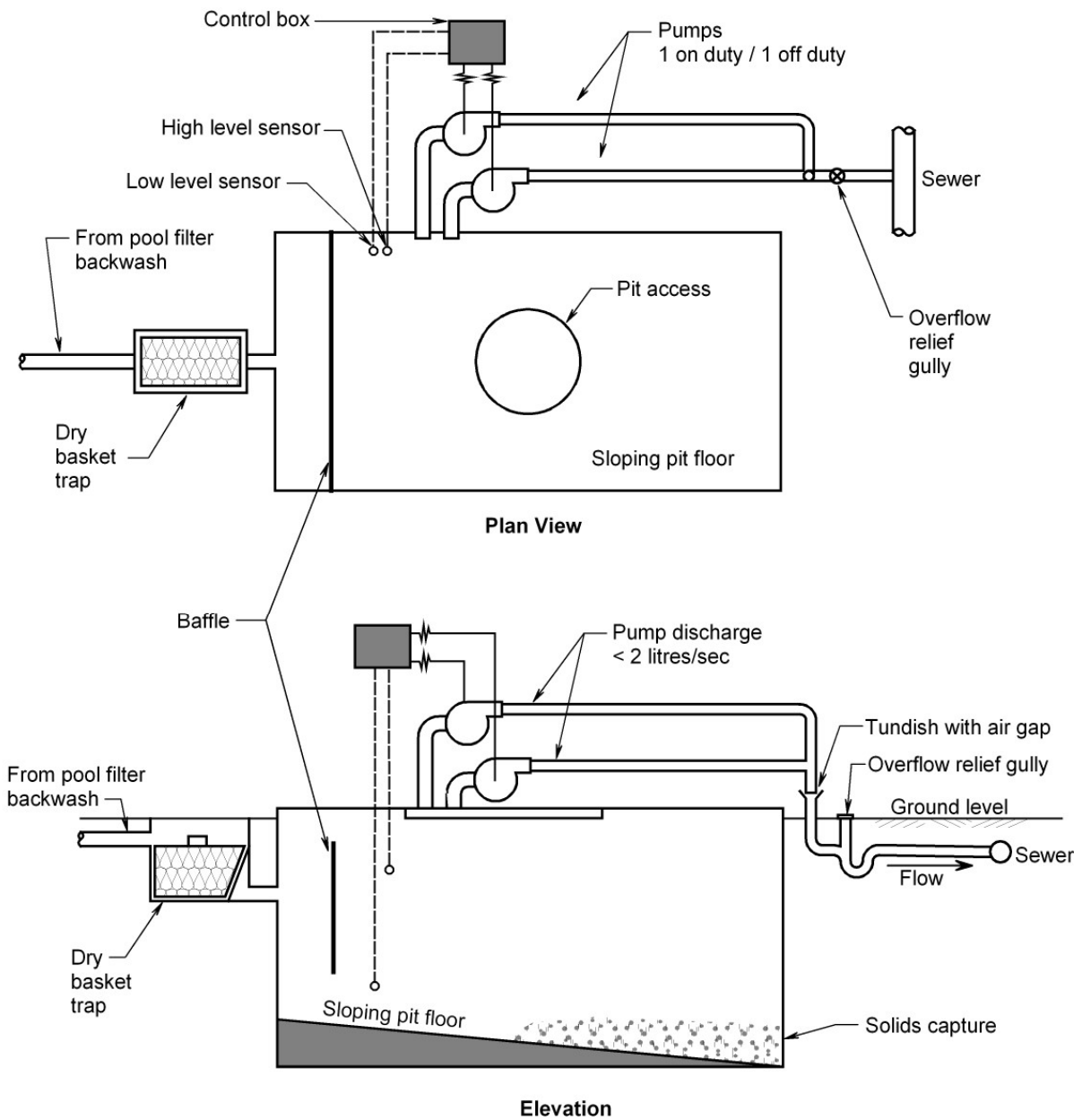
**Figure 13 Under-sink pump-out unit rising main connection**



**NOTES:**

1. Under-sink unit.
2. Alternate connection of holding tank vent.
3. 50mm holding tank vent.
4. Booster pump.
5. Rising main not directly connected to grease arrester. Max. size 50mm.
6. 100mm vent.

**Figure 14 Commercial swimming pool backwash to sewer**



**NOTES:**

1. Only for pools larger than 55,000 L capacity.
2. High / low level alarms to be included.